

**Agilent
11590B
Bias Network**

**Operating and Service
Manual**



11590-90020



Agilent Technologies

Notices

© Agilent Technologies, Inc. 1995, 2014

No part of this manual may be reproduced in any form or by any means (including electronic storage and retrieval or translation into a foreign language) without prior agreement and written consent from Agilent Technologies, Inc. as governed by United States and international copyright laws.

Manual Part Number

11590-90020

Edition

April 2014

Supersedes: January 1995

Agilent Technologies, Inc.
5301 Stevens Creek Blvd
Santa Clara, CA 95051

Warranty

The material contained in this document is provided “as is,” and is subject to being changed, without notice, in future editions. Further, to the maximum extent permitted by applicable law, Agilent disclaims all warranties, either express or implied, with regard to this manual and any information contained herein, including but not limited to the implied warranties of merchantability and fitness for a particular purpose. Agilent shall not be liable for errors or for incidental or consequential damages in connection with the furnishing, use, or performance of this document or of any information contained herein. Should Agilent and the user have a separate written agreement with warranty terms covering the material in this document that conflict with these terms, the warranty terms in the separate agreement shall control.

Technology Licenses

The hardware and/or software described in this document are furnished under a license and may be used or copied only in accordance with the terms of such license.

Restricted Rights Legend

If software is for use in the performance of a U.S. Government prime contract or sub-contract, Software is delivered and

licensed as “Commercial computer software” as defined in DFAR 252.227-7014 (June 1995), or as a “commercial item” as defined in FAR 2.101(a) or as “Restricted computer software” as defined in FAR 52.227-19 (June 1987) or any equivalent agency regulation or contract clause. Use, duplication or disclosure of Software is subject to Agilent Technologies’ standard commercial license terms, and non-DOD Departments and Agencies of the U.S. Government will receive no greater than Restricted Rights as defined in FAR 52.227-19(c)(1-2) (June 1987). U.S. Government users will receive no greater than Limited Rights as defined in FAR 52.227-14 (June 1987) or DFAR 252.227-7015 (b)(2) (November 1995), as applicable in any technical data.

Safety Notices

CAUTION

A **CAUTION** notice denotes a hazard. It calls attention to an operating procedure, practice, or the like that, if not correctly performed or adhered to, could result in damage to the product or loss of important data. Do not proceed beyond a **CAUTION** notice until the indicated conditions are fully understood and met.

WARNING

A **WARNING** notice denotes a hazard. It calls attention to an operating procedure, practice, or the like that, if not correctly performed or adhered to, could result in personal injury or death. Do not proceed beyond a **WARNING** notice until the indicated conditions are fully understood and met.

11590B Bias Network

General Information

This Operating and Service Manual contains information required to install, operate and test the 11590B and 11590B Option 001 bias networks. The 11590B is equipped with Type-N female connectors and operates to 12.4 GHz. The 11590B Option 001 is equipped with precision 7 mm connectors and operates to 18.0 GHz.

Specifications

Instrument specifications are listed in [Table 1](#). These specifications are the performance standards or limits against which the instrument is tested.

Table 1 Specifications

Electrical	
Frequency Range	
Standard	0.1 to 12.4 GHz
Option 001	0.1 to 18.0 GHz
Impedance	50 ohms nominal
Port Match (both ports); Minimum Return Loss	
Standard	
0.1 to 1.0 GHz	16 dB
1.0 to 12.4 GHz	19 dB
Option 001	
0.1 to 1.0 GHz	16 dB
1.0 to 12.4 GHz	19 dB
12.4 to 18.0 GHz	14 dB
Insertion Loss; Maximum	
Standard	
0.1 to 1.0 GHz	1.0 dB
1.0 to 12.4 GHz	0.8 dB
Option 001	
0.1 to 1.0 GHz	1.0 dB
1.0 to 12.4 GHz	0.8 dB
12.4 to 18.0 GHz	1.2 dB

Table 1 Specifications

Maximum Bias Voltage	100 Vdc
Maximum Bias Current (each bias port)	500 mA
DC Resistance from Bias Port to Output Port at 23 °C (typical)	3.0 ohms
General	
Operating Temperature	0 to 55°C
RF Connectors (non-hermetic)	
Standard	Type-N female
Option 001	Precision 7 mm
Bias Connector (non-hermetic)	BNC female
Net Weight	0.30 kg (0.7 lbs)
Dimensions	
In millimeters	54 x 51 x 28
In inches	2.2 x 2 x 2.1

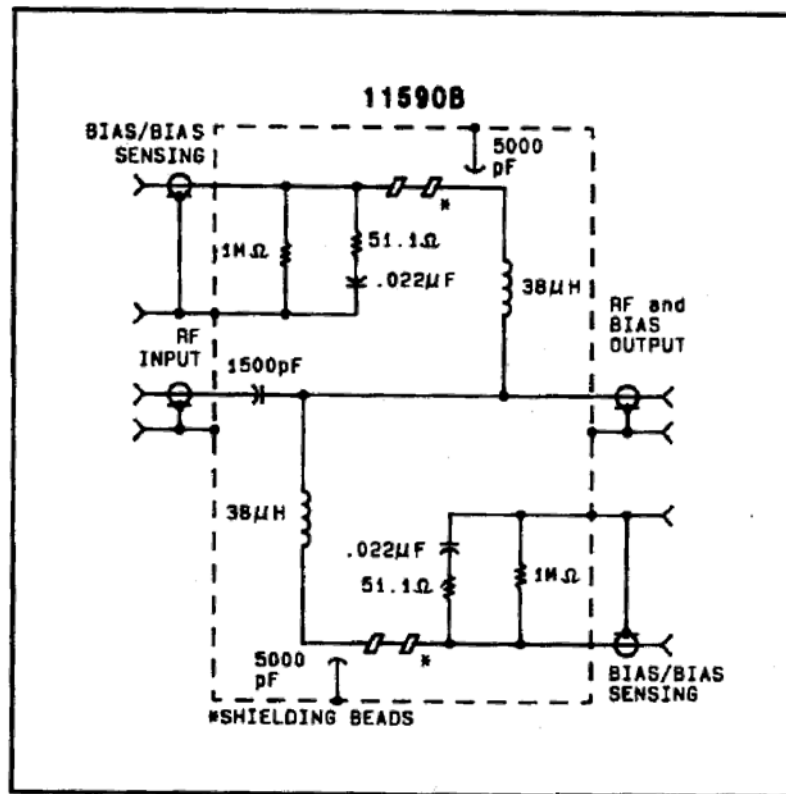
Description

The 11590B bias network provides a means of supplying dc bias to the center conductor of a coaxial line and thus to a biasable component or device (such as a transistor), while blocking the dc bias from the input RF circuit.

A schematic diagram of the 11590B is shown in [Figure 1](#). The capacitor in the RF input arm acts as a dc block/high pass filter. The vertical arms are identical and act as bias/bias sense arms. Because the BIAS/BIAS SENSING port draws no current (it is connected to a high impedance voltmeter), the voltage measured is identical to the voltage at the RF and Bias Output. To double the maximum current handling capability, both BIAS/BIAS SENSING ports may be used for bias input.

A vertical arm is comprised of a series inductance and shunt capacitance which act together as a low pass filter. The ferrite beads and R-C filter decouple the power supply from the RF section and help to reduce the possibility of inductance related oscillation.

Figure 1 Schematic Diagram



11590_020_001

Installation

Initial Inspection

Inspect the shipping container for damage. If the shipping container or cushioning material is damaged, it should be kept until the contents of the shipment have been checked for completeness and the instrument has been checked mechanically and electrically. Procedures for checking electrical performance are given under "PERFORMANCE TESTS". If the contents are incomplete, if there is mechanical damage or defect, or if the 11590B bias network does not pass the Performance Tests, notify Agilent Technologies – see "Contacting Agilent" on page 8. If the shipping container is damaged, or the cushioning material shows signs of stress, notify the carrier as well as Agilent. Keep the shipping materials for the carrier's inspection. The Agilent office will arrange for repair or replacement at Agilent's option without waiting for claim settlement.

Preparation For Use

Interconnections The 11590B bias network is connected in line with the device to be biased. The bias is applied through either BIAS/BIAS SENSING port, and is sensed through the other BIAS/BIAS SENSING port.

Mating Connectors The mating connectors for Type-N connectors are the opposite gender Type-N connectors. Precision 7 mm connectors (Option 001) are genderless.

Operating Environment

The instrument may be operated in environments within the following limits:

Temperature	0° to +55°C
Humidity	Up to 95%
Altitude	Up to 7625 meters (25,000 feet)

The instrument should be protected from temperature and humidity conditions which cause condensation within the instrument.

Storage and Shipment

The instrument may be stored in environments within the following limits:

Temperature	-40°C to +75°C
Humidity	Up to 95%
Altitude	Up to 7625 meters (25,000 feet)

The instrument should be protected from temperature and humidity conditions which cause condensation within the instrument.

Packaging

Tagging for Service If the instrument is being returned to Agilent for service, attach a tag indicating the type of service required, return address, and model number. See [“Contacting Agilent” on page 8](#).

Original Packaging Containers and materials identical to those used in factory packaging are available through Agilent offices. Mark the container FRAGILE to ensure careful handling.

Other Packaging The following general instructions should be used for re-packing with commercially available materials:

1. Wrap the instrument in heavy paper or plastic (If shipping to an Agilent office or service center, attach a tag as explained previously).
2. Use a strong shipping container.
3. Use a thick layer of shock absorbing material 70 to 100 mm (3 to 4 inches) thick around all sides of the instrument to provide firm cushioning and prevent movement inside the container.
4. Seal the shipping container securely.
5. Mark the shipping container FRAGILE to ensure careful handling.
6. In any correspondence, refer to the instrument by model number and full serial number.

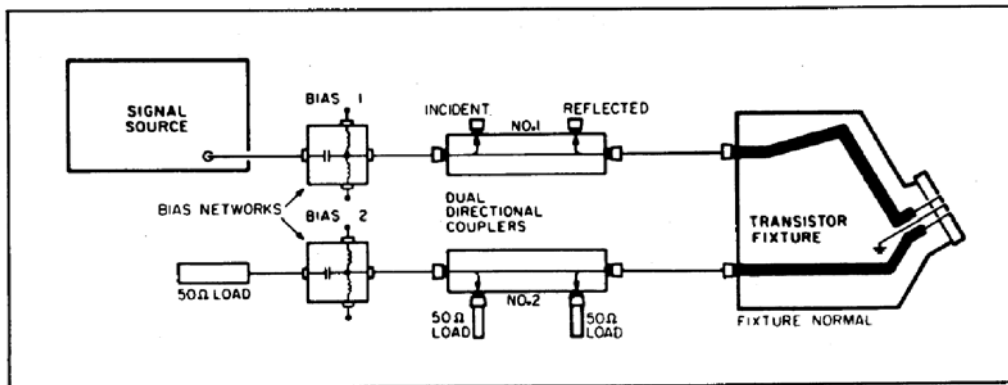
Operation

Operating Instructions

Figure 2 shows the Agilent 11590B bias network connected in a typical measurement setup. Many other applications are possible but not shown because the general method of setup and operation is the same.

The 11590B contains an in-line filter which will help prevent inductance related oscillations. However, to eliminate the possibility of oscillation with bipolar transistors, it is recommended that the 11635A bias decoupling network be used with the 11590B.

Figure 2 Typical Measurement Setup



11590_020_002

Performance Tests

The procedures in this section test the electrical performance of the 11590B using the specifications of Table 1 as performance standards.

Test Record

Results of the performance tests may be tabulated on the Test Record at the end of the procedures.

Performance may be verified using either a vector or scalar network analyzer setup. Errors due to directivity, source match, and return loss of the "opposite port" termination (and detector match in a scalar system) will add uncertainties to your measurement. The most accurate method uses an error corrected instrument. However, a scalar system will give acceptable results depending on the quality of the components.

The following general instructions apply to both vector and scalar network analyzers.

Return Loss Of Input and Output Ports (Port Match)

1. Connect the equipment for a standard reflection measurement.
2. Calibrate the system with the appropriate standards.
3. Connect the appropriate instrument port of the 11590B to the test port. Terminate the opposite port of the 11590B with a 50 ohm load.

NOTE The Return Loss of the load should be at least 20 dB better than the desired measurement value.

4. Measure the port match. The specifications are as follows:

Port Match (both ports) – Minimum Return Loss

Standard

0.1 to 1.0 GHz	16 dB
1.0 to 12.4 GHz	19 dB

Option 001

0.1 to 1.0 GHz	16 dB
1.0 to 12.4 GHz	19 dB
12.4 to 18.0 GHz	14 dB

Insertion Loss

1. Connect the equipment for a standard insertion loss measurement.
2. Calibrate the system with a through line.
3. Replace the through line with the 11590B.
4. Measure the insertion loss. The specifications are as follows:

Insertion Loss – Maximum

Standard

0.1 to 1.0 GHz	1.0 dB
1.0 to 12.4 GHz	0.8 dB

Option 001

0.1 to 1.0 GHz	1.0 dB
1.0 to 12.4 GHz	0.8 dB
12.4 to 18.0 GHz	1.2 dB

Adjustments

There are no mechanical or electrical adjustments on the 11590B bias network.

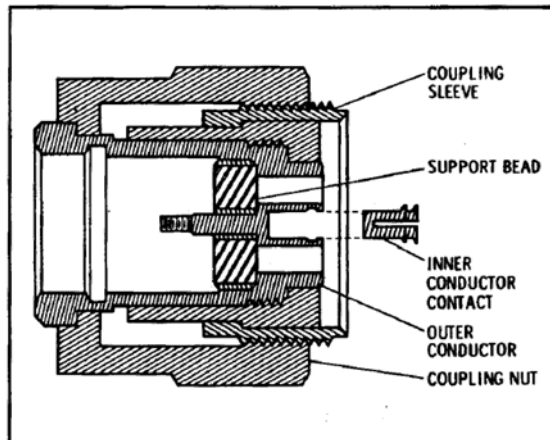
Replacement Parts

Inner Conductor Contact; Option 001

The center conductor collet ([Figure 3](#)) in the precision 7 mm connector, Agilent part number 1250-0907, may be replaced using a special extractor tool, Agilent part number 5060-0370. Examine the collet with a magnifying glass to determine if it is damaged. The collet must be free of burrs and the prongs must be equally spaced. If the collet needs to be replaced, perform the following procedure:

1. Place the instrument so that the connector faces down.
2. Tap the connector lightly on the outside ring and the center conductor collet should protrude slightly.
3. Compress the handle of the collet extractor tool, causing the jaws to expand, and insert the tool into the precision 7 mm connector.
4. Release the compression on the extractor tool, allowing the jaws of the tool to close on the center conductor collet. Pull the tool straight out from the connector without twisting. The collet will come out of the connector with the tool. Do not reuse the extracted collet.
5. To install a new center conductor collet, push the collet into the center conductor until it snaps into place. No special tool is required for this operation.

Figure 3 Precision 7 mm Connector



11590_020_003

Service

There are no serviceable parts in the 11590B bias network.

Test Record

Specifications Tested	Step	Test Cond. (GHz)	Limit (dB)	Result (dB)
Port Match (Return Loss)				
Standard	39	0.1 to 1.0	≥ 16	
		1.0 to 12.4	≥ 19	
Option 001	39	0.1 to 1.0	≥ 16	
		1.0 to 12.4	≥ 19	
		12.4 to 18.0	≥ 14	
Insertion Loss				
Standard	40	0.1 to 1.0	≤ 1.0	
		1.0 to 12.4	≤ 0.8	
Option 001	40	0.1 to 1.0	≤ 1.0	
		1.0 to 12.4	≤ 0.8	
		12.4 to 18.0	≤ 1.2	

Contacting Agilent

Assistance with test and measurement needs and information on finding a local Agilent office are available on the Web at:

www.agilent.com/find/assist

NOTE In any correspondence or telephone conversation, refer to the Agilent product by its model number and full serial number. With this information, the Agilent representative can determine whether your product is still within its warranty period.
